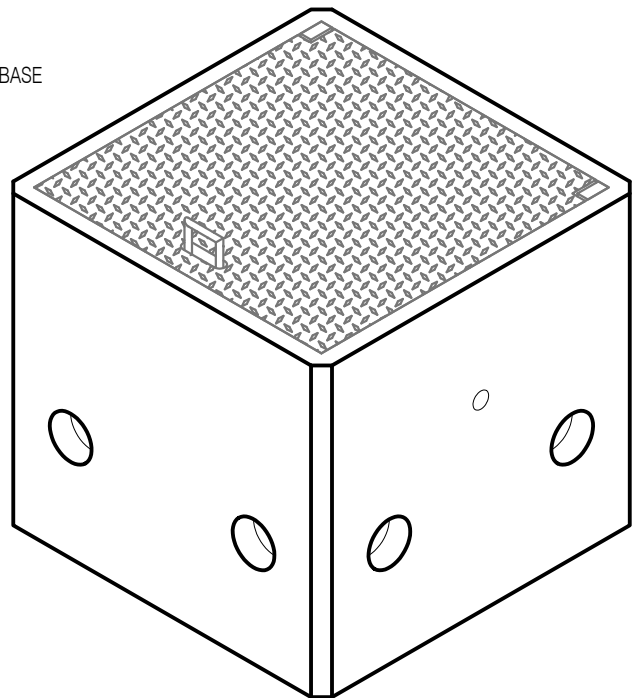


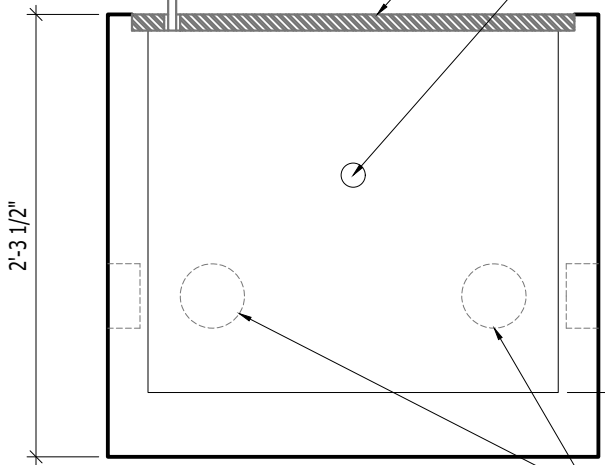
3030 HANDHOLE W/ BASE
 950 LBS



3030 HANDHOLE PLAN
 SCALE: 1" = 1'-0"

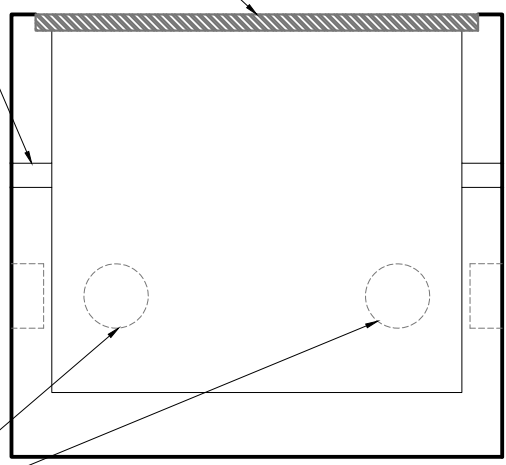
HINGED AND LOCKING DOOR

1 1/2" ϕ LIFTING EYE
 (2) SIDES



SECTION A-A
 SCALE: 1" = 1'-0"

4" ϕ KNOCKOUT
 (2) EA. WALL



SECTION B-B
 SCALE: 1" = 1'-0"