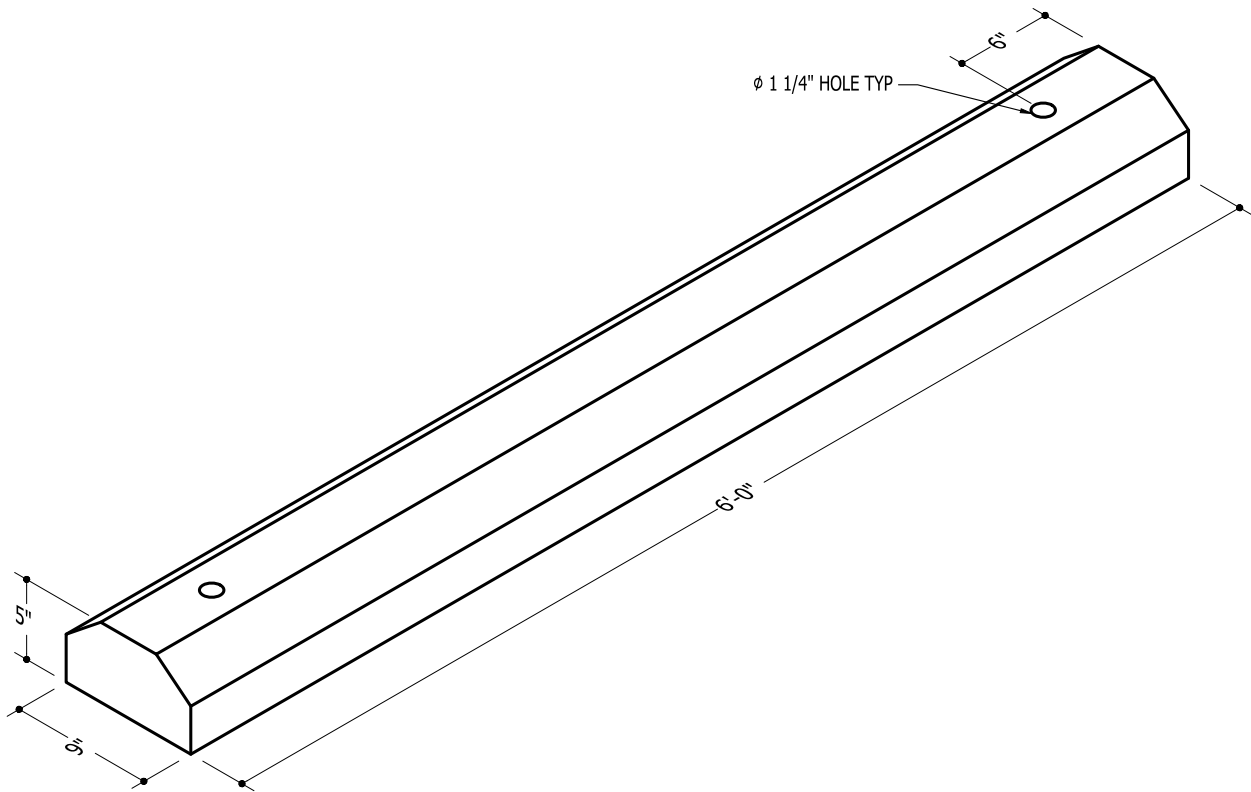


NOTES:

1. PRODUCT WEIGHT = ~ 250 LBS



H² Pre-Cast Inc.

3835 N Clemons
East Wenatchee, WA 98802

Phone: (509) 884-6644

Fax: (509) 884-4567

© 2021 H² Pre-Cast Inc.