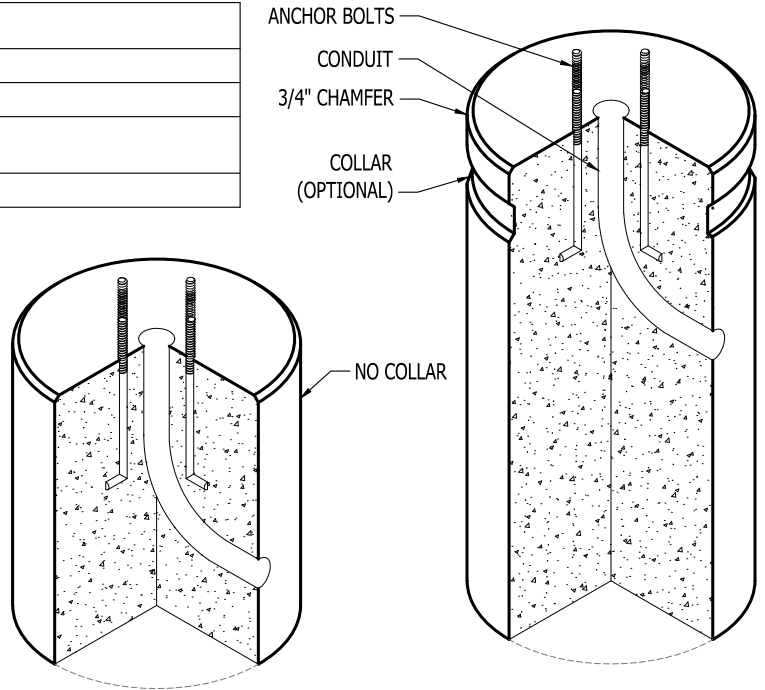


CUSTOMER INFORMATION	
CUSTOMER:	
JOB NAME:	
DELIVERY ADDRESS:	
PO#:	

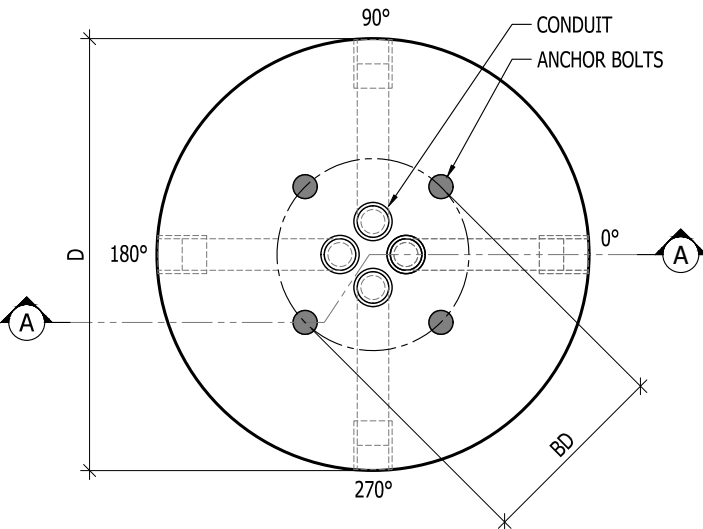
POLE BASE ORDER FORM VALUES	
QUANTITY OF BASES	
HEIGHT (H, 6" INCREMENTS)	
POLE BASE DIAMETER (D)	
BOLT SIZE (EX: ϕ x HEIGHT)	
BOLT CIRCLE DIAMETER (BD)	
BOLT PROJECTION (BP) *	
CONDUIT SIZE (1", 1-1/2" ETC.)	
CONDUIT HEIGHT (CH)	
COLLAR? (YES/NO)	
QUANTITY OF CONDUITS AND ANGLES (EX: 2 @ 90deg)	___ @ 0°, ___ @ 90° ___ @ 180°, ___ @ 270°
SACKED? IF SO, GIVE "S"	



* TABLE NOTE: ASSURE BOLTS ORDERED HAVE MIN THREAD LENGTH = 1 1/2" + BP

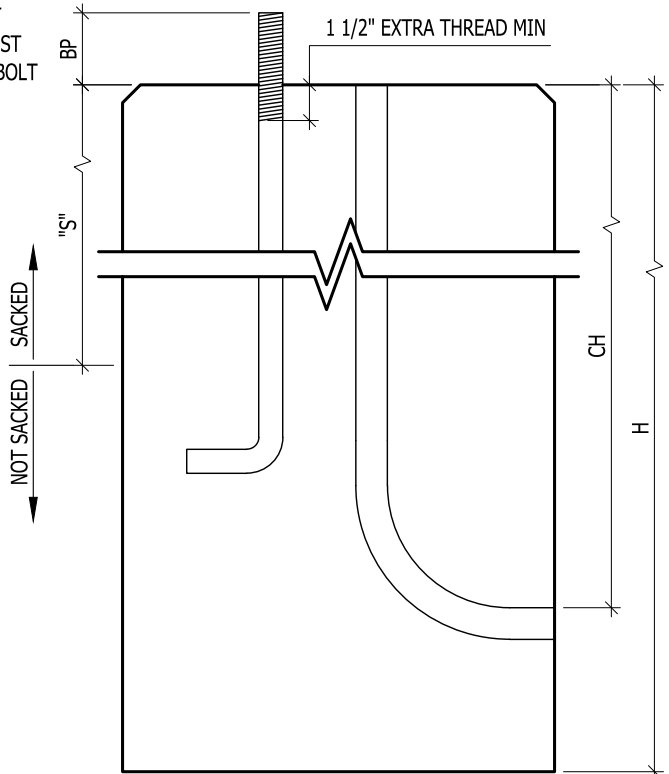
BASE STATS		
BASE D'S	LBS/FT **	MAX H'S
18"	265	10'
24"	471	10'
30"	736	10'
36"	1,060	8'

THREAD LENGTH EXAMPLE : IF BOLT PROJECTION IS TO BE 4", THERE MUST BE AT LEAST 5 1/2" OF THREAD ON BOLT



PLAN

SCALE: NOT TO SCALE



SECTION A-A

SCALE: NOT TO SCALE

NOTES:

1. CONTRACTOR TO SUPPLY ANCHOR BOLTS AND CONDUITS
2. ** LBS PER LINEAR FOOT ARE BASED OFF OF 150 LBS/CUFT DENSITY OF CONCRETE