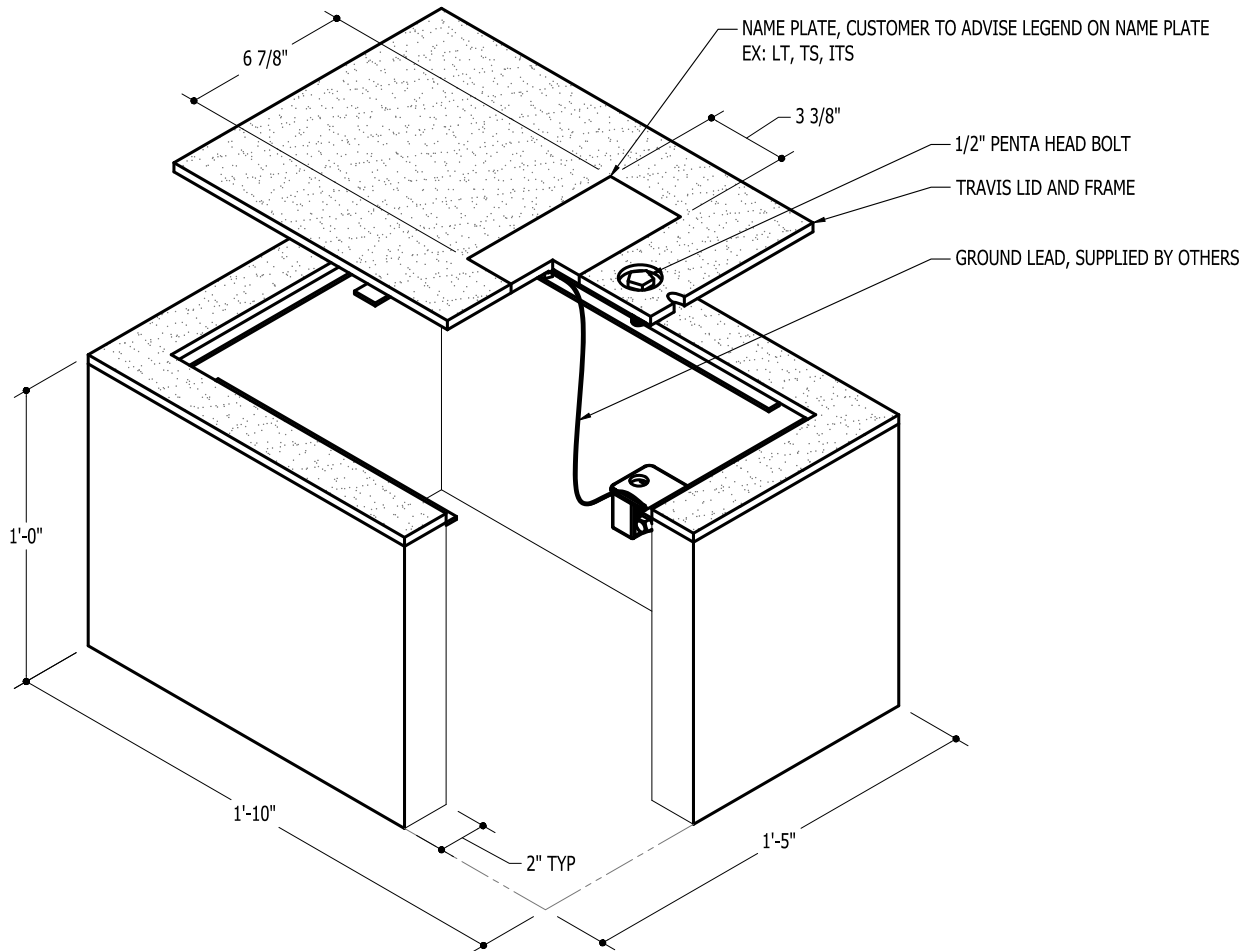


REQUIRED SPECIFICATIONS	
WSDOT / STATE CONTRACT NO.	_____
HATCH & FRAME FINISH (CHECK ONE)	GALVINIZED, SLIPNOT FINISH
	GALVINIZED, DIAMOND PLATE FINISH

NOTES:

1. PRODUCT WEIGHS ~ 150 LBS
2. DRAWING NOT TO SCALE, AND SOME CHAMFERS AND FILLETS NOT SHOWN
3. DIMENSION TOLERANCE IS (+/- 1/4")



CONFORMANCE NOTE:
 THIS PRODUCT IS CONSTRUCTED AND TESTED TO CONFORM WITH
 WSDOT STANDARD SPEC. 9-29.2(1), STANDARD DUTY JUNCTION BOXES