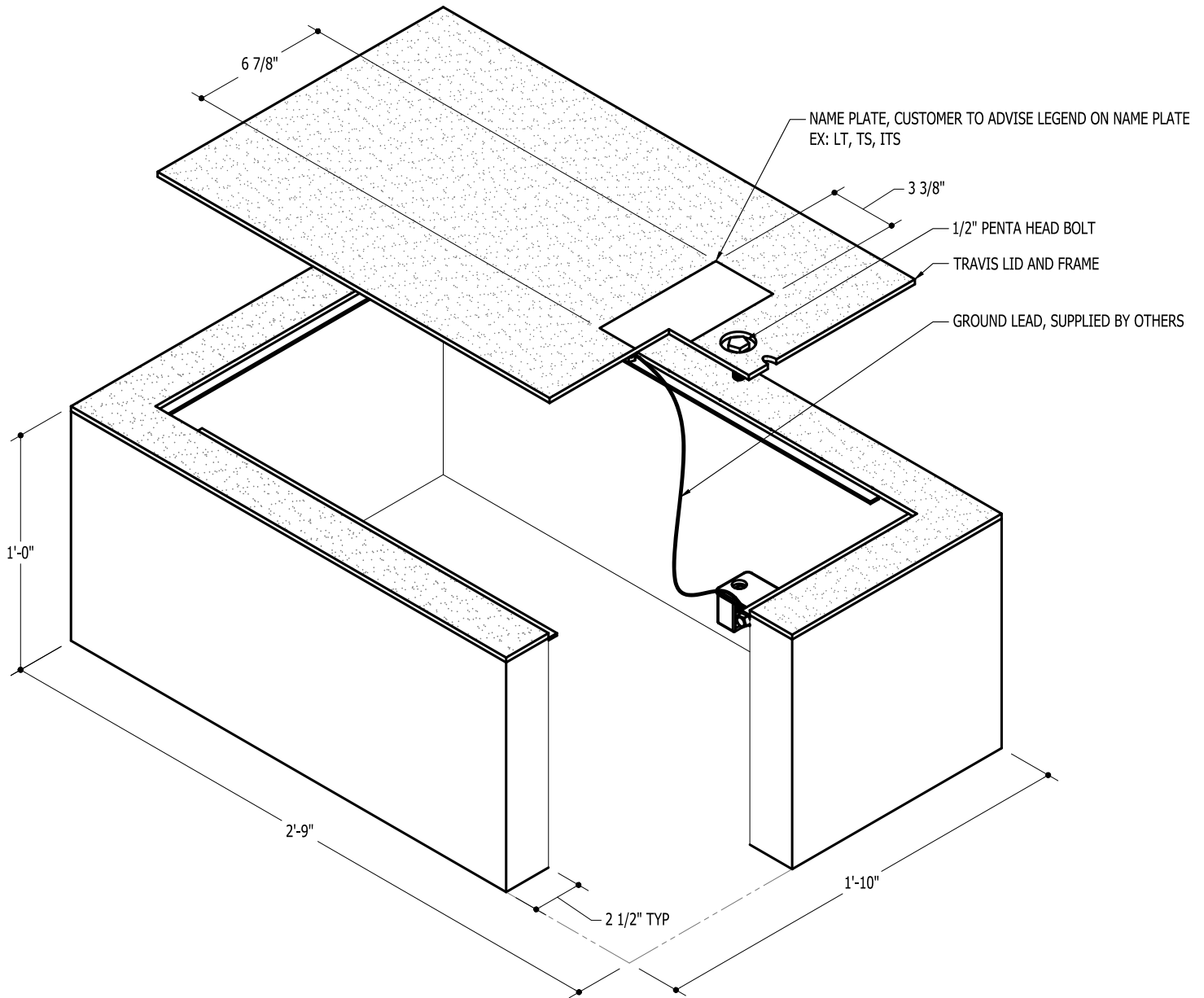


REQUIRED SPECIFICATIONS	
WSDOT / STATE CONTRACT NO.	_____
HATCH & FRAME FINISH (CHECK ONE)	<input type="checkbox"/> GALVINIZED, SLIPNOT FINISH
	<input type="checkbox"/> GALVINIZED, DIAMOND PLATE FINISH

NOTES:

1. PRODUCT WEIGHS ~ 290 LBS
2. DRAWING NOT TO SCALE, AND SOME CHAMFERS AND FILLETS NOT SHOWN
3. DIMENSION TOLERANCE IS (+/- 1/4")



CONFORMANCE NOTE:  
 THIS PRODUCT IS CONSTRUCTED AND TESTED TO CONFORM WITH  
 WSDOT STANDARD SPEC. 9-29.2(1), STANDARD DUTY JUNCTION BOXES