

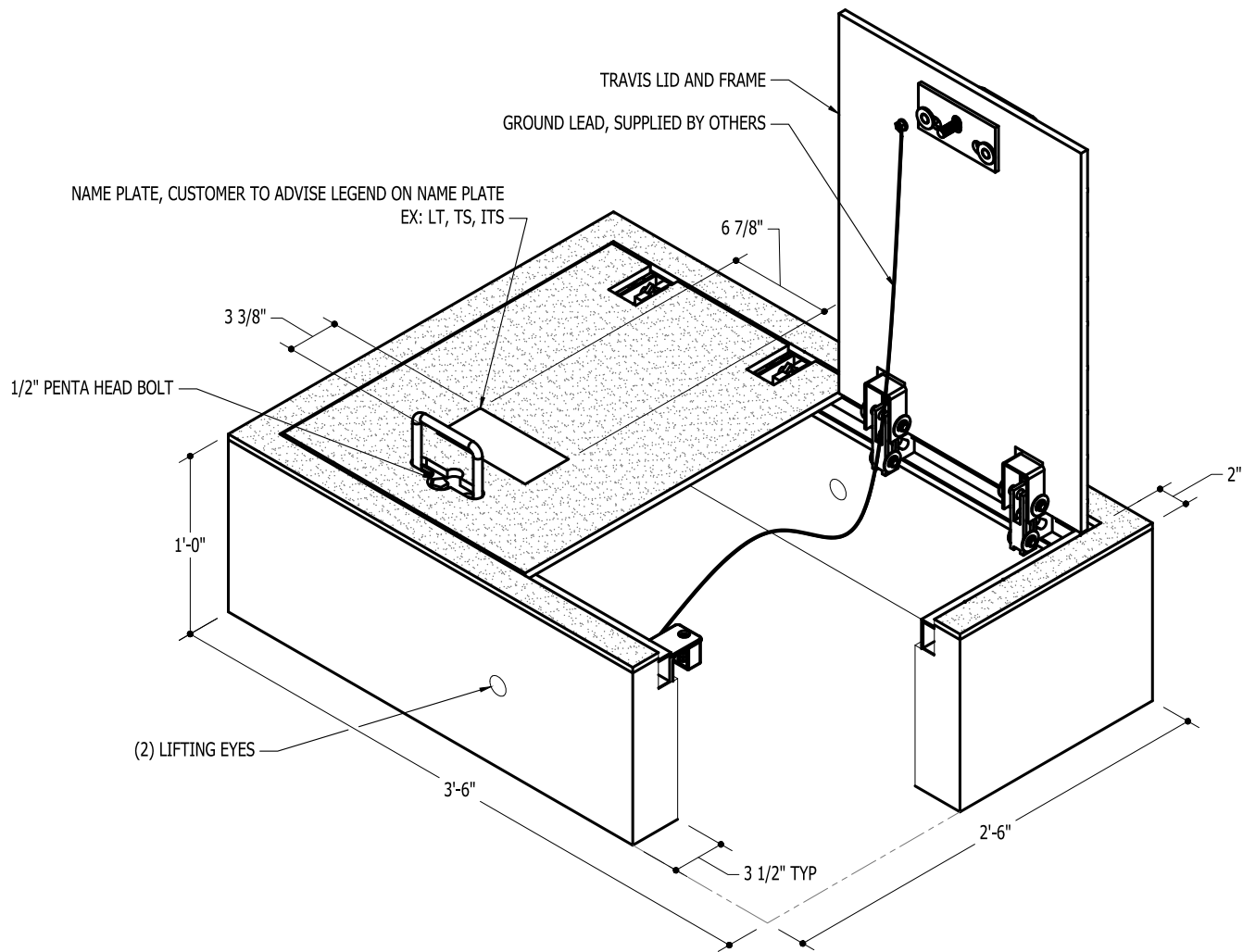
REQUIRED SPECIFICATIONS

WSDOT / STATE CONTRACT NO. _____
GALVINIZED, SLIPNOT FINISH
GALVINIZED, DIAMOND PLATE FINISH

HATCH & FRAME FINISH
 (CHECK ONE)

NOTES:

1. PRODUCT WEIGHS ~ 470 LBS
2. DRAWING NOT TO SCALE, AND SOME CHAMFERS AND FILLETS NOT SHOWN
3. DIMENSION TOLERANCE IS (+/- 1/4")



CONFORMANCE NOTE:
 THIS PRODUCT IS CONSTRUCTED AND TESTED TO CONFORM WITH
 WSDOT STANDARD SPEC. 9-29.2(1), STANDARD DUTY JUNCTION BOXES