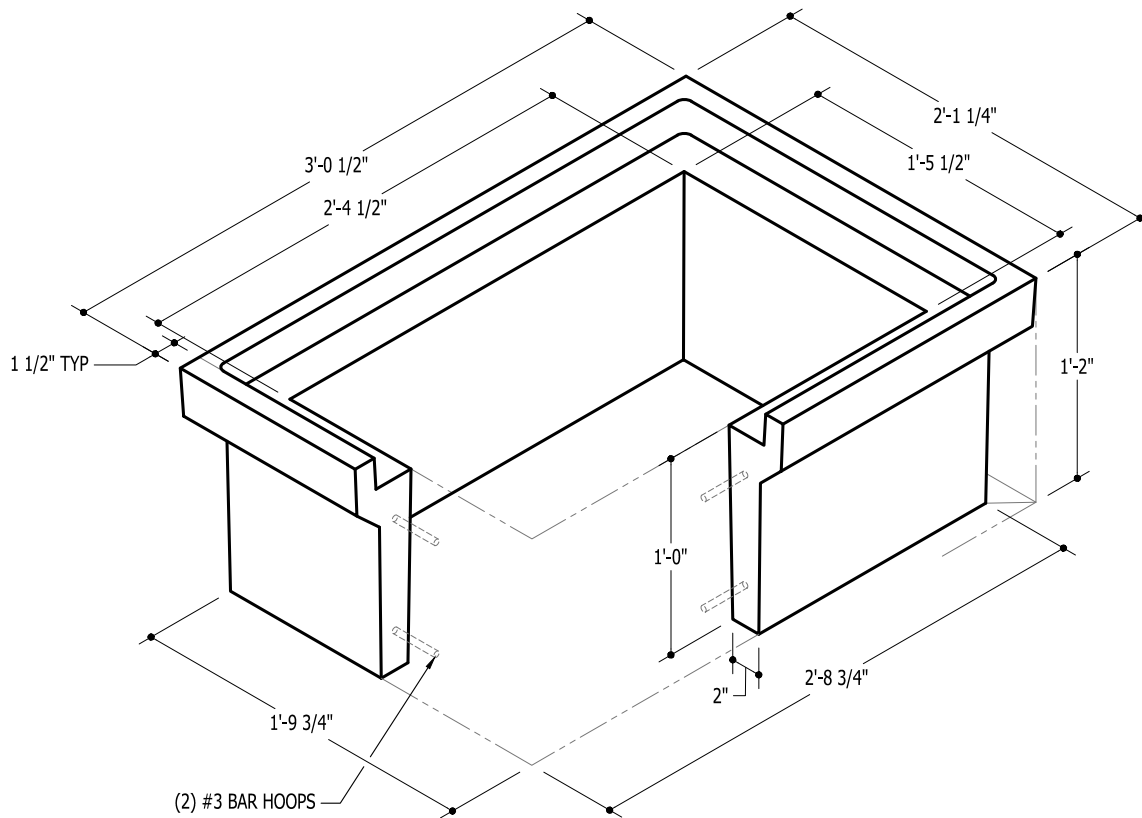


NOTES:

1. THIS PRODUCT WEIGHS ~ 280 LBS
2. DRAWING NOT TO SCALE
3. DIMENSIONS ARE APPROXIMATE (+/- 1/4)



**H<sup>2</sup> Pre-Cast Inc.**

3835 N Clemons  
 East Wenatchee, WA 98802

Phone: (509) 884-6644

Fax: (509) 884-4567

© 2021 H<sup>2</sup> Pre-Cast Inc.